

Wirekovse

Rustfri stål

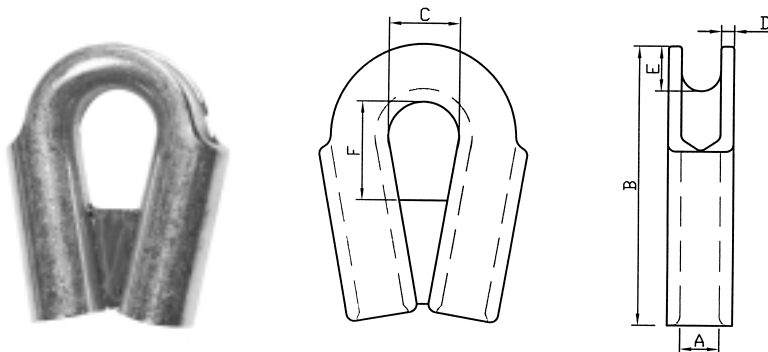
Wire thimble

Stainless steel

Guardacabo para cable

Acero inoxidable

Vare nr. Part no. Parte no.	A	B	C	D	E	Vægt Weight Peso	For wire max. For wire max. P/cable max.
	mm	mm	mm	mm	mm	kg	mm
G 815	15	91	27	5,0	9	0,39	12
G 819	19	113	31	5,0	11	0,79	16
G 824	24	136	46	5,0	15	1,04	21
G 827	27	142	45	5,0	15	1,29	24
G 831	31	163	48	7,0	19	1,84	28
G 839	39	179	60	5,5	20	1,68	35
G 848	48	220	74	5,5	32	2,71	44
G 860	60	260	81	8,5	38	5,75	54



Wirekovse

Rustfri stål

Med kile

Wire thimble

Stainless steel

With gusset

Guardacabo para cable

Acero inoxidable

Con cuña

Vare nr. Part no. Parte no.	A	B	C	D	E	F	Vægt Weight Peso	For wire max. For wire max. P/cable max.
	mm	mm	mm	mm	mm	mm	kg	mm
G 815 K	15	91	27	5,0	9	32	0,41	12
G 819 K	19	113	31	5,0	11	46	0,62	16
G 824 K	24	136	46	5,0	15	57	1,11	21
G 827 K	27	142	45	5,0	15	62	1,36	24
G 831 K	31	163	48	7,0	19	66	1,92	28
G 839 K	39	179	60	5,5	20	83	1,79	35
G 848 K	48	220	74	5,5	32	82	2,90	44
G 860 K	60	260	81	8,5	38	90	5,90	54